



AX Control Company

[www.axcontrol.com](http://www.axcontrol.com)

Your Automation Supplier

# PFXGP4601TAA

<http://www.axcontrol.com/automation/pro-face/gp-4000/PFXGP4601TAA>

## Pro-face Xycom GP4000

PFXGP4601TAA

Pro-face Xycom GP-460xT GP460xT

Touch Screen Operator Interface 12.1 TFT Analog Color LCD Display 100-240VAC. Call Now!

**1-800-991-7026**

**[sales@axcontrol.com](mailto:sales@axcontrol.com)**

**See Also:**

<http://www.axcontrol.com/automation/pro-face/gp-4000>

## Specifications of Serial Interface COM1

### Introduction

**NOTE:** For instructions on how to connect to other devices, always refer to the “GP-Pro EX Device/PLC Connection Manual”.

The serial port is not isolated. The SG (signal ground) and FG (frame ground) terminals are connected inside the GP unit.

### DANGER

#### ELECTRIC SHOCK

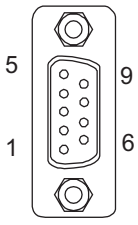
When using the SG terminal to connect an external device to the panel:

- Verify that a short-circuit loop is not created when you set up the system.
- Connect the #5 SG terminal to remote equipment when the host (PLC) unit is not isolated. Connect the #5 SG terminal to a known reliable ground connection to reduce the risk of damaging the circuit.

**Failure to follow these instructions will result in death or serious injury.**

### Serial Interface COM1

**GP-4501T / GP-4501TW / GP-4503T:** D-Sub 9 pin plug connector via an RS-232C cable.

Pin Connection	Pin No.	RS-232C		
		Signal Name	Direction	Meaning
 (GP unit side)	1	CD	Input	Carrier Detect
	2	RD(RXD)	Input	Receive Data
	3	SD(TXD)	Output	Send Data
	4	ER(DTR)	Output	Data Terminal Ready
	5	SG	-	Signal Ground
	6	DR(DSR)	Input	Data Set Ready
	7	RS(RTS)	Output	Request to Send
	8	CS(CTS)	Input	Send possible
	9	CI(RI)/VCC	Input/-	Called Status Display +5V±5% Output 0.25A <sup>*1</sup>
	Shell	FG	-	Frame Ground (Common with SG)

**NOTE:** <sup>\*1</sup> You can switch pin #9 between RI and VCC via software.

### NOTICE

#### EQUIPMENT DAMAGE

Use only the rated current.

**Failure to follow these instructions can result in equipment damage.**

Interfit bracket is #4-40 (UNC).

Recommendations:

- Cable Connector: XM2D-0901 manufactured by OMRON Corporation.
- Cable Cover: XM2S-0913 manufactured by OMRON Corporation.
- Jack Screw (#4-40 UNC): XM2Z-0073 manufactured by OMRON Corporation.

** CAUTION**

**LOSS OF COMMUNICATION**

- All connections to the communication ports must not put excessive stress on the ports.
- Securely attach communication cables to the panel wall or cabinet.
- Use only D-Sub 9 pin cables with a locking tab in good condition.

**Failure to follow these instructions can result in injury or equipment damage.**

## Specifications of Serial Interface COM2

### Introduction

**NOTE:** For instructions on how to connect to other devices, always refer to the “GP-Pro EX Device/PLC Connection Manual”.

The COM2 ports of GP-4501T and GP-4501TW are not isolated. The SG (signal ground) and FG (frame ground) terminals are connected inside the GP unit.

### DANGER

#### ELECTRIC SHOCK

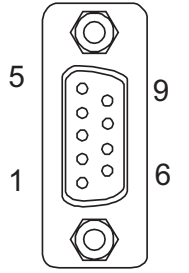
When using the SG terminal to connect an external device to the panel:

- Verify that a short-circuit loop is not created when you set up the system.
- Connect the #5 SG terminal to remote equipment when the host (PLC) unit is not isolated. Connect the #5 SG terminal to a known reliable ground connection to reduce the risk of damaging the circuit.

**Failure to follow these instructions will result in death or serious injury.**

### Serial Interface COM2

GP-4501T / GP-4501TW: D-Sub 9 pin plug connector via an RS-422/485 cable.

Pin Connection	Pin No.	RS-422/RS-485		
		Signal Name	Direction	Meaning
 (GP unit side)	1	RDA	Input	Receive Data A (+)
	2	RDB	Input	Receive Data B (-)
	3	SDA	Output	Send Data A (+)
	4	ERA	Output	Data Terminal Ready A (+)
	5	SG	-	Signal Ground
	6	CSB	Input	Send Possible B (-)
	7	SDB	Output	Send Data B (-)
	8	CSA	Input	Send Possible A (+)
	9	ERB	Output	Data Terminal Ready B (-)
	Shell	FG	-	Frame Ground (Common with SG)

Interfit bracket is #4-40 (UNC).

Recommendations:

- Cable Connector: XM2D-0901 manufactured by OMRON Corporation.
- Cable Cover: XM2S-0913 manufactured by OMRON Corporation.
- Jack Screw (#4-40 UNC): XM2Z-0073 manufactured by OMRON Corporation.

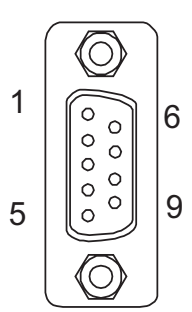
### CAUTION

#### LOSS OF COMMUNICATION

- All connections to the communication ports must not put excessive stress on the ports.
- Securely attach communication cables to the panel wall or cabinet.
- Use only D-Sub 9 pin cables with a locking tab in good condition.

**Failure to follow these instructions can result in injury or equipment damage.**

GP-4503T: D-Sub 9 pin socket connector via an RS-485, PROFIBUS, or MPI cable.

Pin Connection	Pin No.	RS-485 (isolation)		
		Signal Name	Direction	Meaning
 <p>(GP unit side)</p>	1	NC	-	no connection
	2	NC	-	no connection
	3	Line A	Input/Output	Data A (+)
	4	RS(RTS)	Output	Request to Send
	5	SG	-	Signal Ground
	6	VCC	-	+5V±5% External Output <sup>*1</sup>
	7	NC	-	no connection
	8	Line B	Input/Output	Data B (-)
	9	NC	-	no connection
	Shell	FG	-	Frame Ground <sup>*2</sup> (Not connected with SG)

**NOTE:** <sup>\*1</sup> You can supply power to the Siemens PROFIBUS connector only. You cannot supply power to the device/PLC.

<sup>\*2</sup> The SG and FG terminals are isolated.

Interfit bracket is #4-40 (UNC).

Recommendations:

- Cable Connector: XM2A-0901 manufactured by OMRON Corporation.
- Cable Cover: XM2S-0913 manufactured by OMRON Corporation.
- Jack Screw (#4-40 UNC): XM2Z-0073 manufactured by OMRON Corporation.

## ⚠ CAUTION

### LOSS OF COMMUNICATION

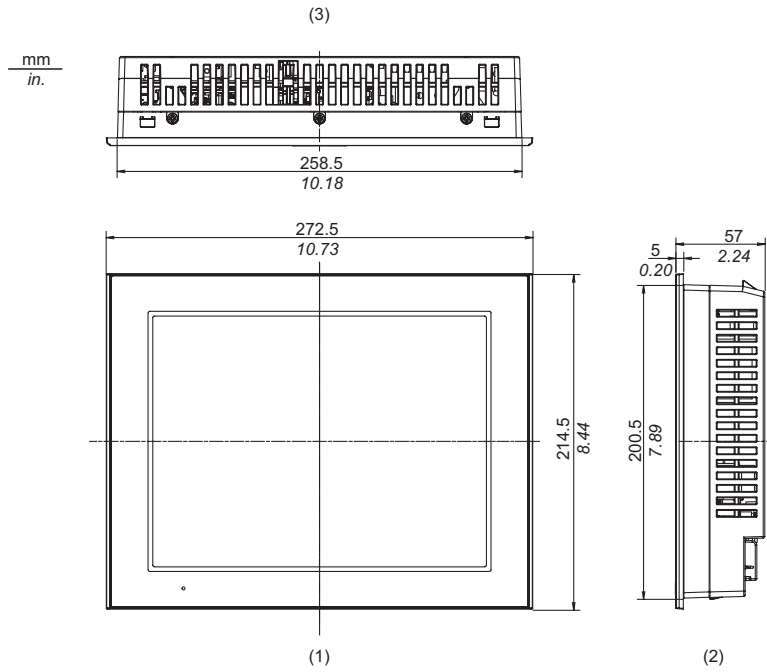
- All connections to the communication ports must not put excessive stress on the ports.
- Securely attach communication cables to the panel wall or cabinet.
- Use only D-Sub 9 pin cables with a locking tab in good condition.

**Failure to follow these instructions can result in injury or equipment damage.**

## Dimensions

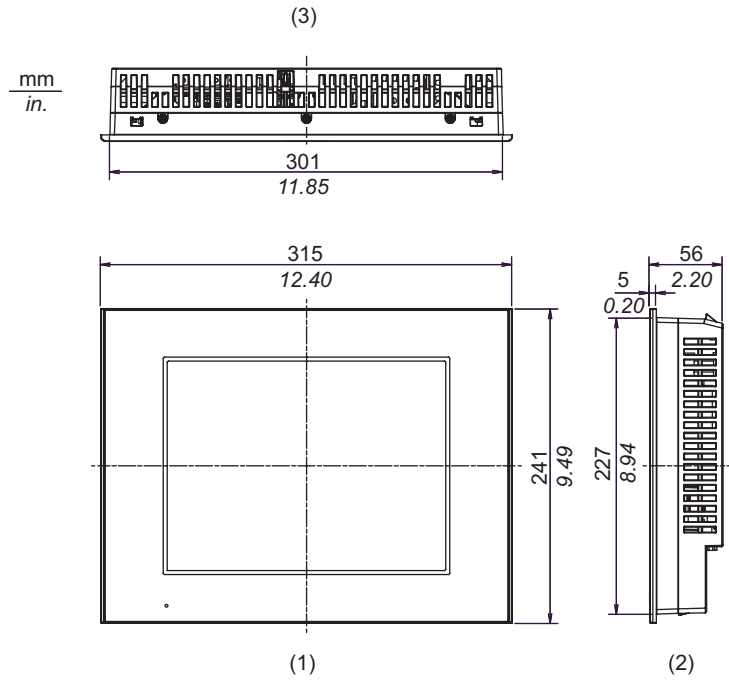
**NOTE:**

- If you are using the rear mount model, refer to Dimensions (see page 184).

**External Dimensions: GP-4501T / GP-4503T**

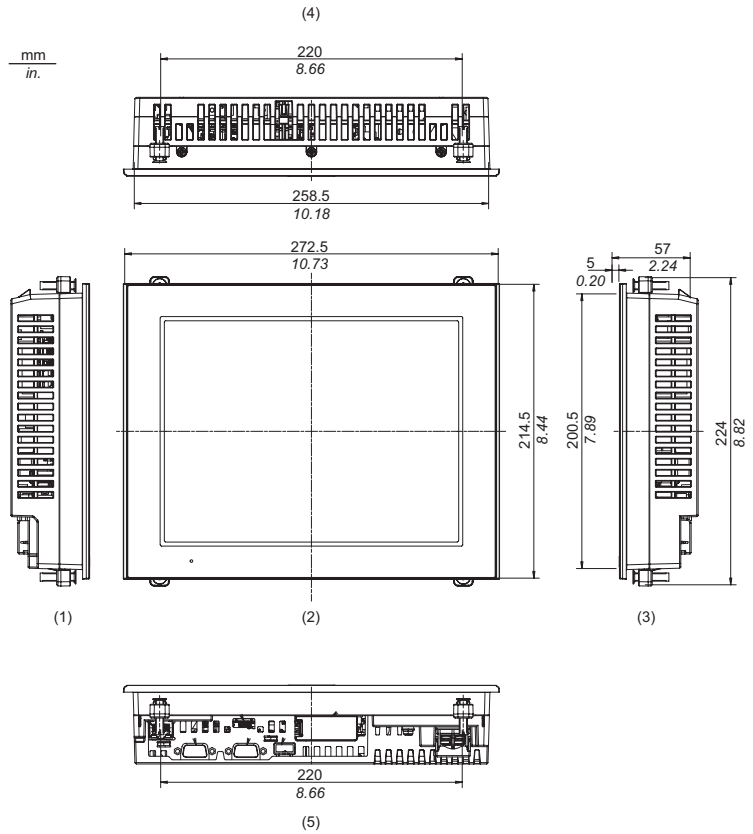
- 1 Front
- 2 Right Side
- 3 Top

**External Dimensions: GP-4501TW**



- 1 Front
- 2 Right Side
- 3 Top

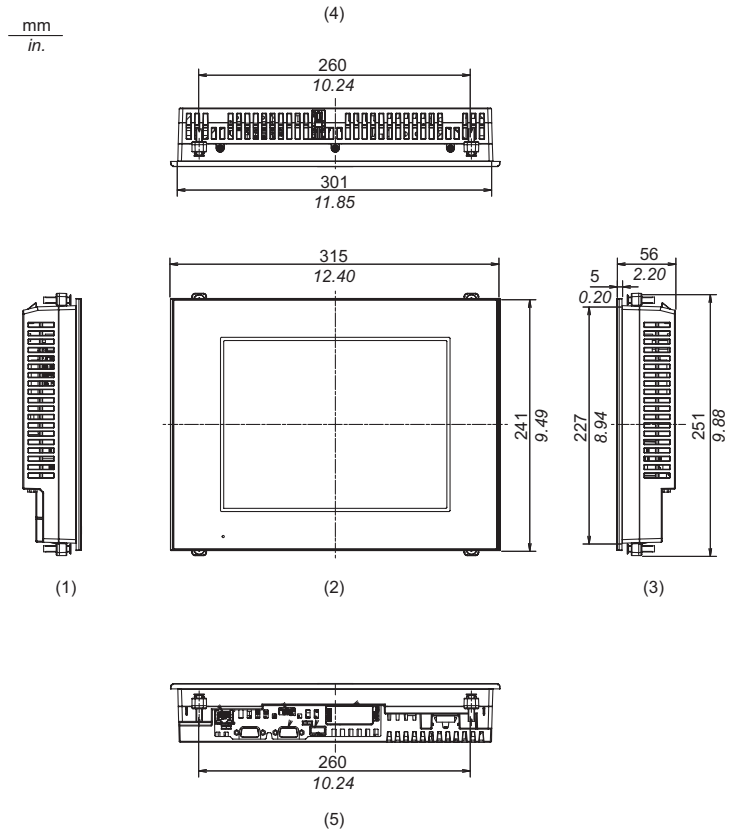
Installation with Installation Fasteners: GP-4501T / GP-4503T



- 1 Left Side
- 2 Front
- 3 Right Side
- 4 Top
- 5 Bottom

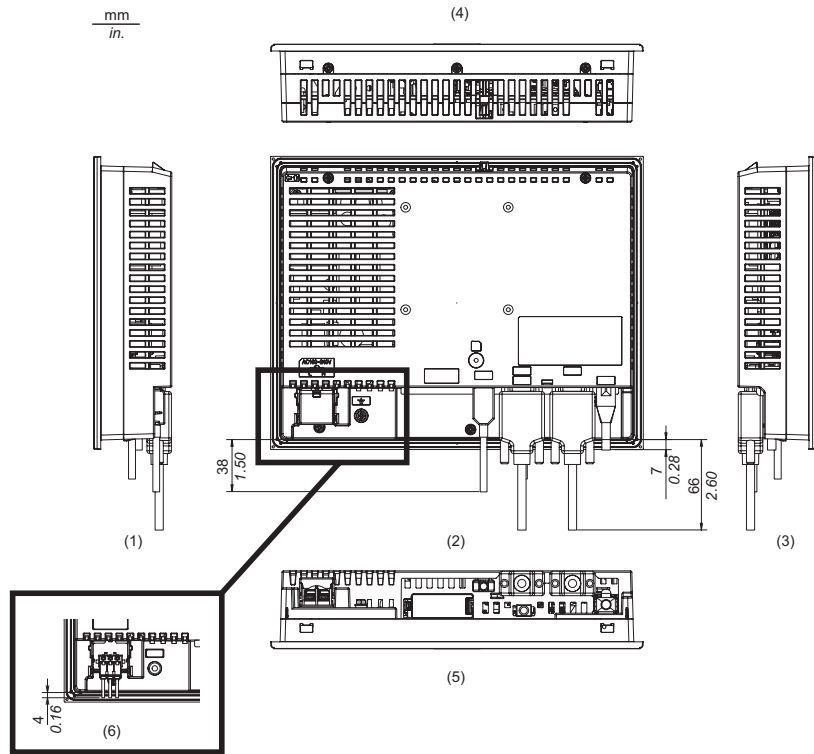


Installation with Installation Fasteners: GP-4501TW



- 1 Left Side
- 2 Front
- 3 Right Side
- 4 Top
- 5 Bottom

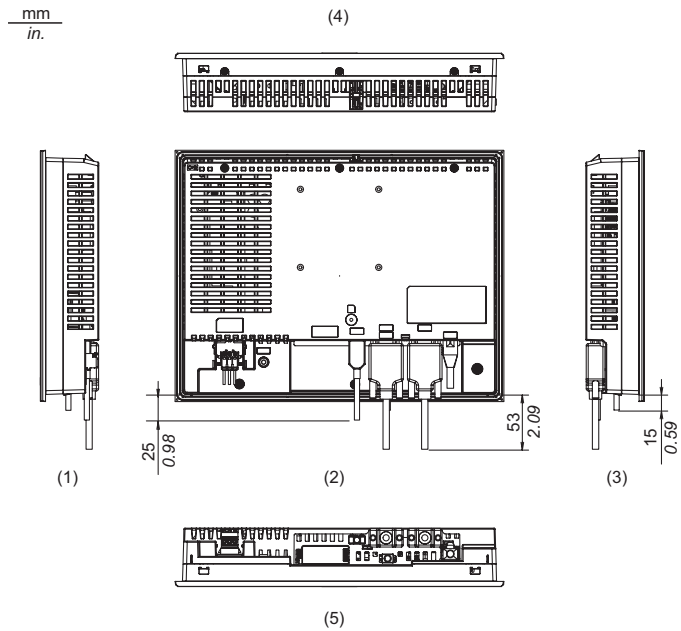
Dimensions with Cables: GP-4501T



- 1 Left Side
- 2 Rear
- 3 Right Side
- 4 Top
- 5 Bottom
- 6 DC type units have power supply terminals

**NOTE:** All the above values are designed with cable bending in mind. The dimensions given here are representative values depending on the type of connection cable in use. Therefore, these values are intended for reference only.

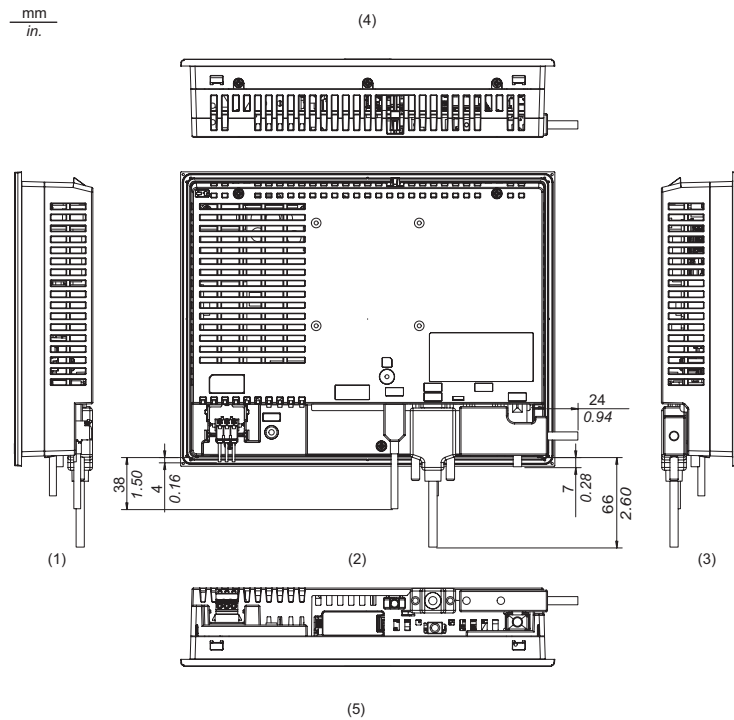
**Dimensions with Cables: GP-4501TW**



- 1 Left Side
- 2 Rear
- 3 Right Side
- 4 Top
- 5 Bottom

**NOTE:** All the above values are designed with cable bending in mind. The dimensions given here are representative values depending on the type of connection cable in use. Therefore, these values are intended for reference only.

## Dimensions with Cables: GP-4503T



- 1 Left Side
- 2 Rear
- 3 Right Side
- 4 Top
- 5 Bottom

**NOTE:** All the above values are designed with cable bending in mind. The dimensions given here are representative values depending on the type of connection cable in use. Therefore, these values are intended for reference only.