



AX Control Company

www.axcontrol.com

Your Automation Supplier

PFXGP4401WADW

<http://www.axcontrol.com/automation/pro-face/gp-4000/PFXGP4401WADW>

Pro-face Xycom GP4000

PFXGP4401WADW

Pro-face Xycom GP-4401WW GP4401WW

Touch Screen Operator Interface 7.5 TFT Color LCD Display. Call Now!

1-800-991-7026

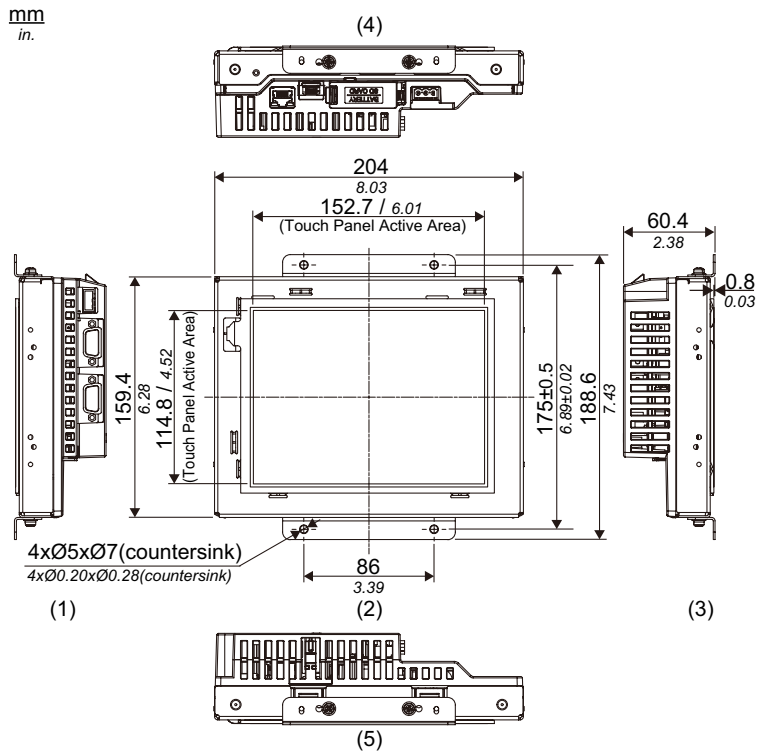
sales@axcontrol.com

See Also:

<http://www.axcontrol.com/automation/pro-face/gp-4000>

<Panel Type/ Standard Mount : PFXGP4401TADR>

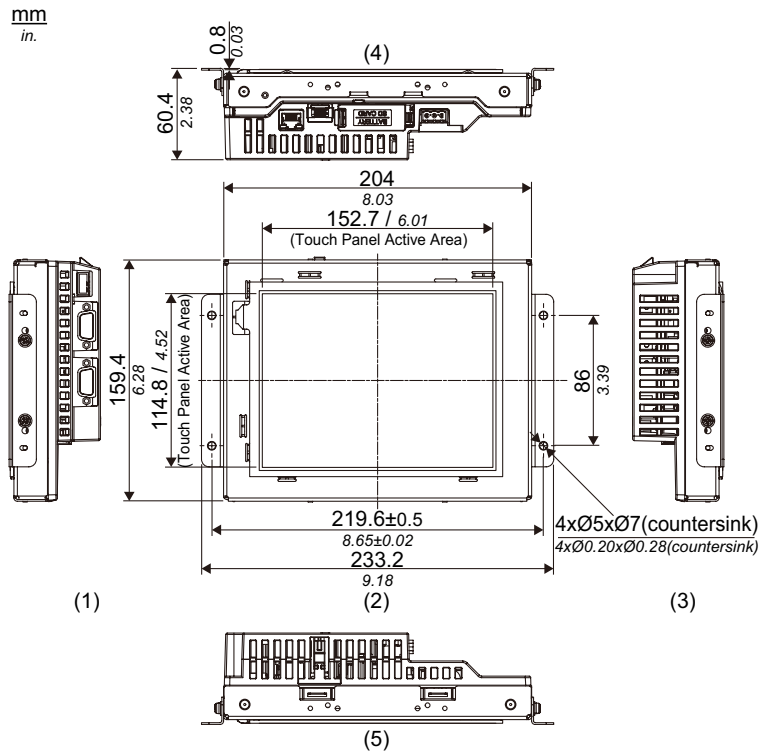
Installation with Installation Fasteners attached to the top and bottom surfaces of the GP unit



- 1 Right Side
- 2 Front
- 3 Left Side
- 4 Bottom
- 5 Top

<Panel Type/ Standard Mount : PFXGP4401TADR>

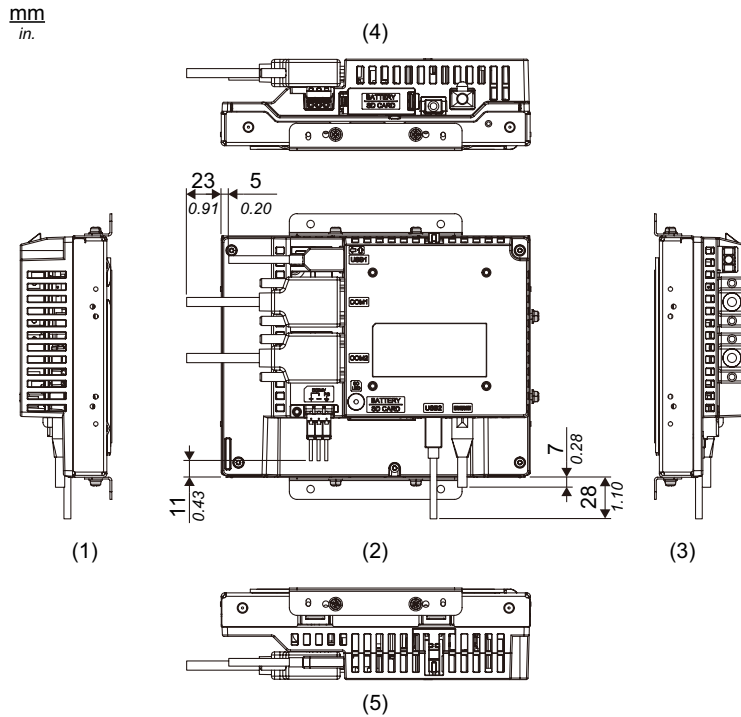
Installation with Installation Fasteners attached to the sides of the GP unit



- 1 Right Side
- 2 Front
- 3 Left Side
- 4 Bottom
- 5 Top

<Panel Type/ Standard Mount : PFXGP4401TADR>

Dimensions with Cables

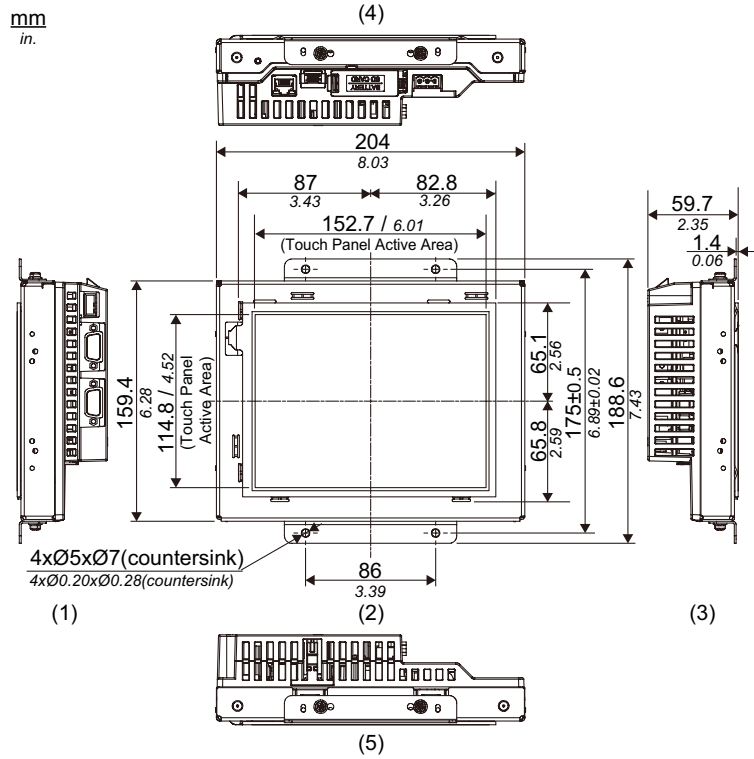


- 1 Right Side
- 2 Rear
- 3 Left Side
- 4 Bottom
- 5 Top

NOTE: All the above values are designed with cable bending in mind. The dimensions given here are representative values depending on the type of connection cable in use. Therefore, these values are intended for reference only.

<Panel Type/ Flat Mount : PFXGP4401TADR>

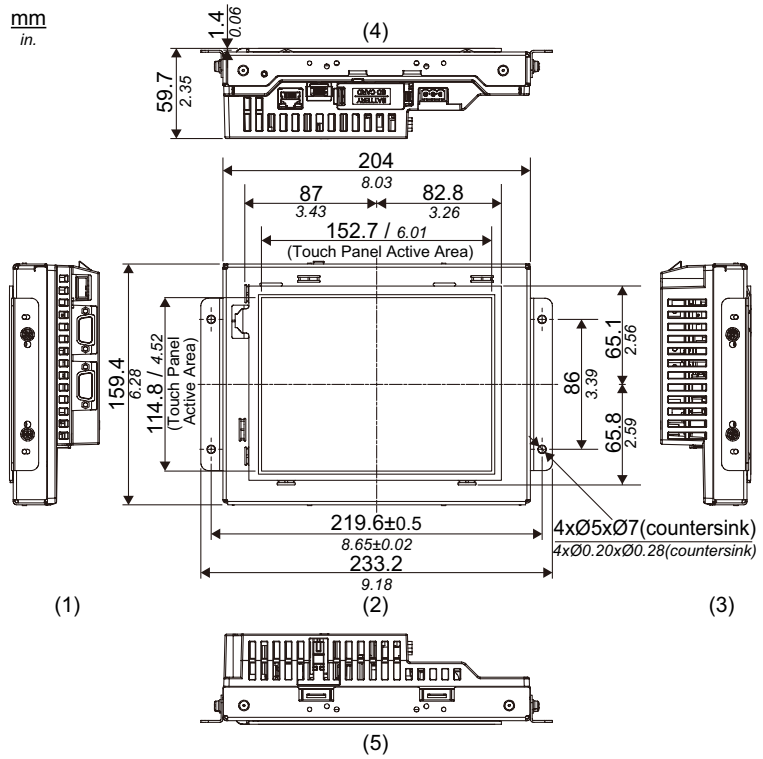
Installation with Installation Fasteners attached to the top and bottom surfaces of the GP unit



- 1 Right Side
- 2 Front
- 3 Left Side
- 4 Bottom
- 5 Top

<Panel Type/ Flat Mount : PFXGP4401TADR>

Installation with Installation Fasteners attached to the sides of the GP unit

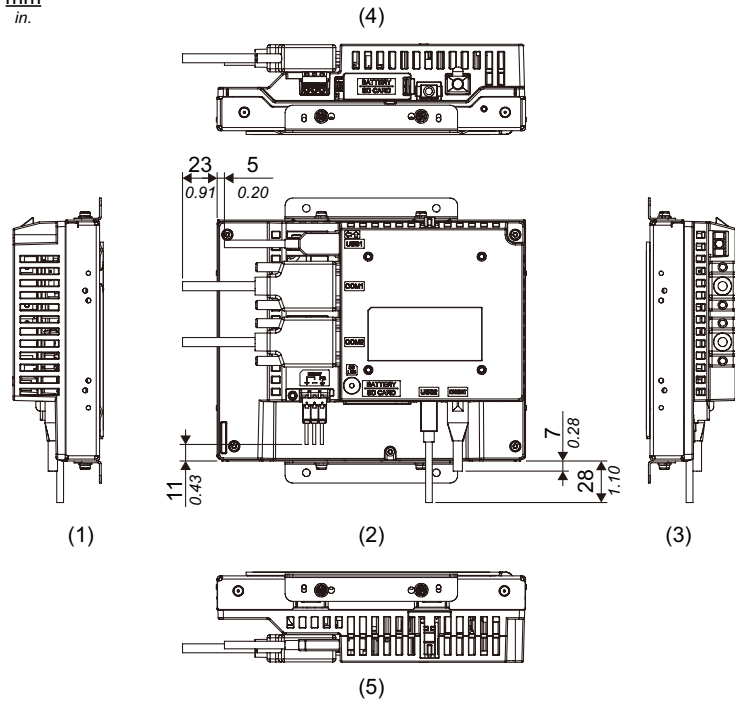


- 1 Right Side
- 2 Front
- 3 Left Side
- 4 Bottom
- 5 Top

<Panel Type/ Flat Mount : PFXGP4401TADR>

Dimensions with Cables

mm
in.

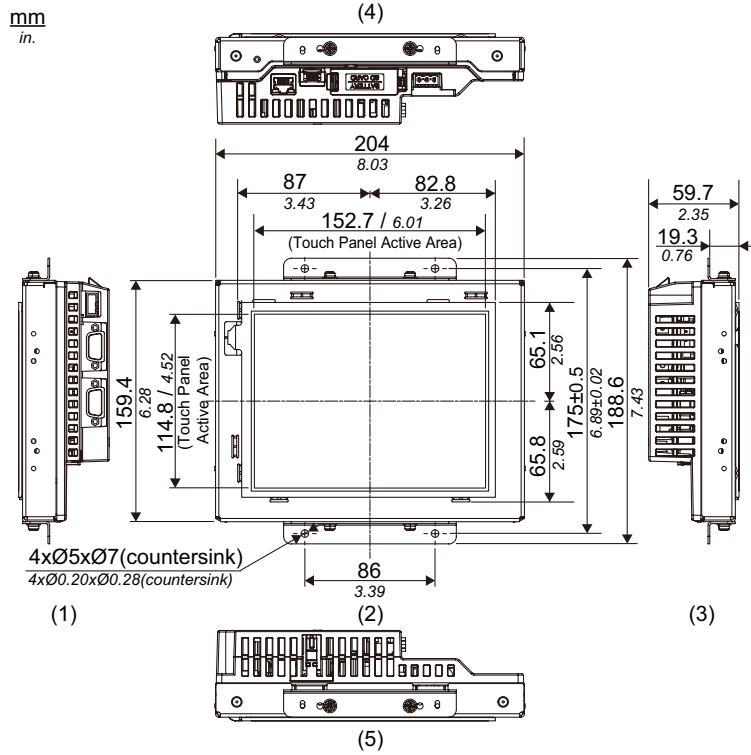


- 1 Right Side
- 2 Rear
- 3 Left Side
- 4 Bottom
- 5 Top

NOTE: All the above values are designed with cable bending in mind. The dimensions given here are representative values depending on the type of connection cable in use. Therefore, these values are intended for reference only.

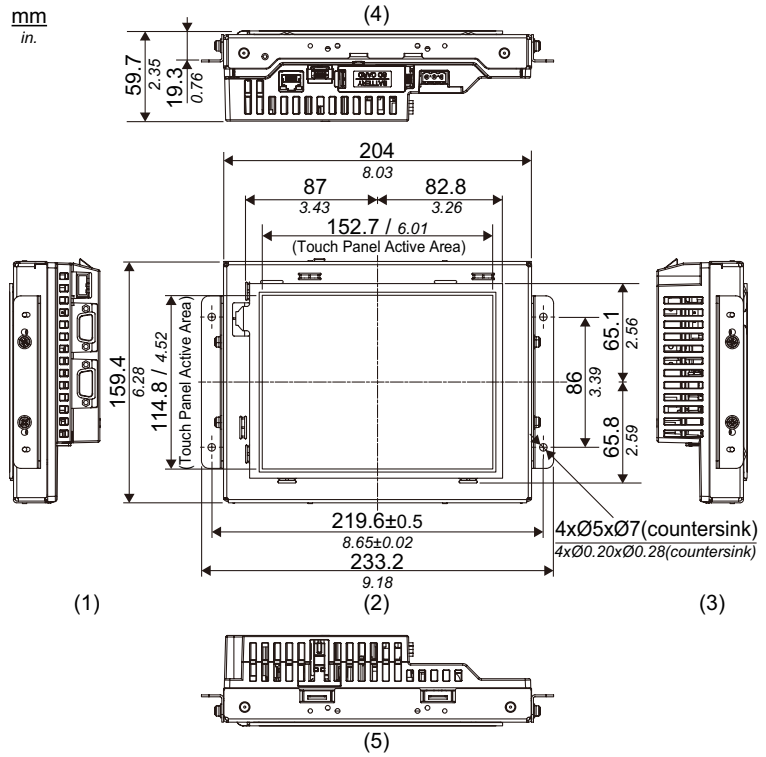
<Resin Boss Type/ Standard Mount and Flat Mount : PFXGP4401TADR>

Installation with Installation Fasteners attached to the top and bottom surfaces of the GP unit



- 1 Right Side
- 2 Front
- 3 Left Side
- 4 Bottom
- 5 Top

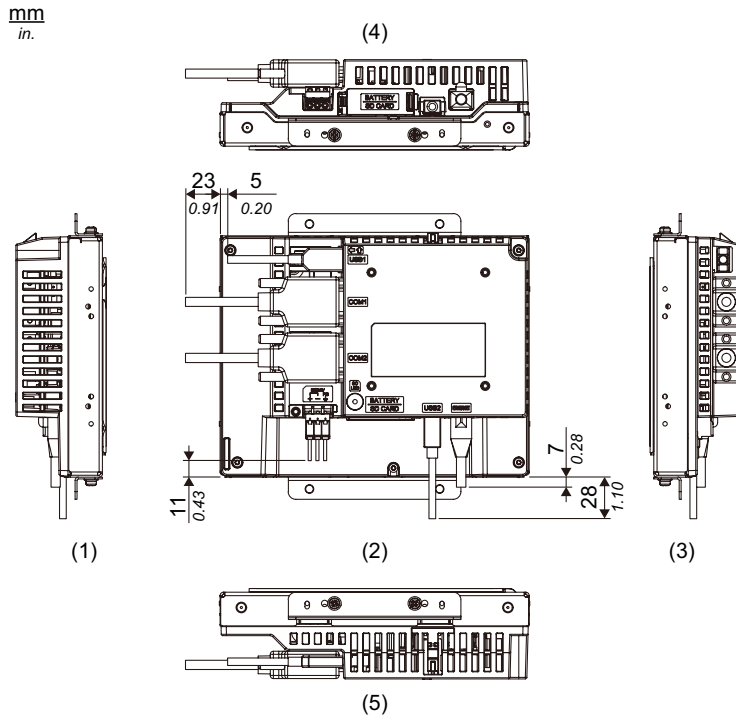
<Resin Boss Type/ Standard Mount and Flat Mount : PFXGP4401TADR>
 Installation with Installation Fasteners attached to the sides of the GP unit



- 1 Right Side
- 2 Front
- 3 Left Side
- 4 Bottom
- 5 Top

<Resin Boss Type/ Standard Mount and Flat Mount : PFXGP4401TADR>

Dimensions with Cables



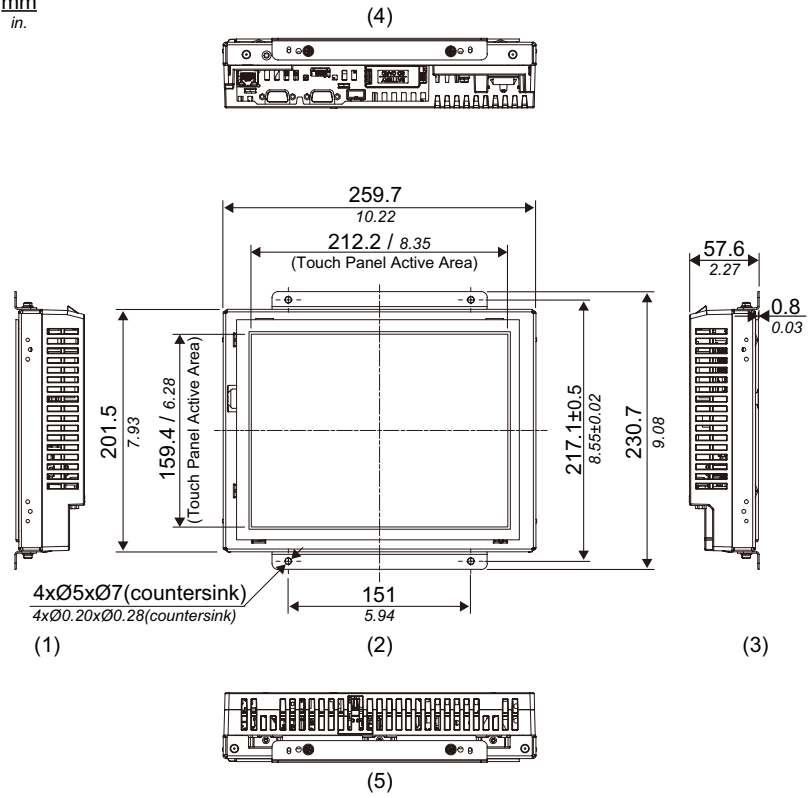
- 1 Right Side
- 2 Rear
- 3 Left Side
- 4 Bottom
- 5 Top

NOTE: All the above values are designed with cable bending in mind. The dimensions given here are representative values depending on the type of connection cable in use. Therefore, these values are intended for reference only.

<Panel Type/ Standard Mount : PFXGP4501TADR>

Installation with Installation Fasteners attached to the top and bottom surfaces of the GP unit

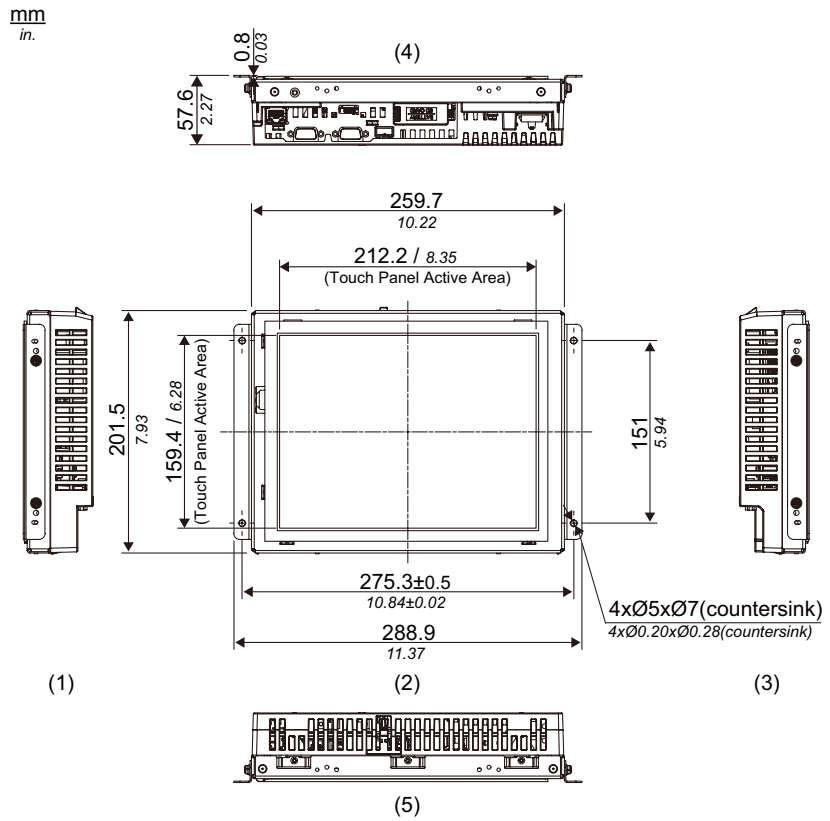
mm
in.



- 1 Right Side
- 2 Front
- 3 Left Side
- 4 Bottom
- 5 Top

<Panel Type/ Standard Mount : PFXGP4501TADR>

Installation with Installation Fasteners attached to the sides of the GP unit



- 1 Right Side
- 2 Front
- 3 Left Side
- 4 Bottom
- 5 Top