



AX Control Company

[www.axcontrol.com](http://www.axcontrol.com)

Your Automation Supplier

# PFXGP4401TAD

<http://www.axcontrol.com/automation/pro-face/gp-4000/PFXGP4401TAD>

## Pro-face Xycom GP4000

PFXGP4401TAD

Pro-face Xycom GP-4401T GP4401T

Touch Screen Operator Interface 7.5 TFT Color LCD Display. Call Now!

**1-800-991-7026**

**[sales@axcontrol.com](mailto:sales@axcontrol.com)**

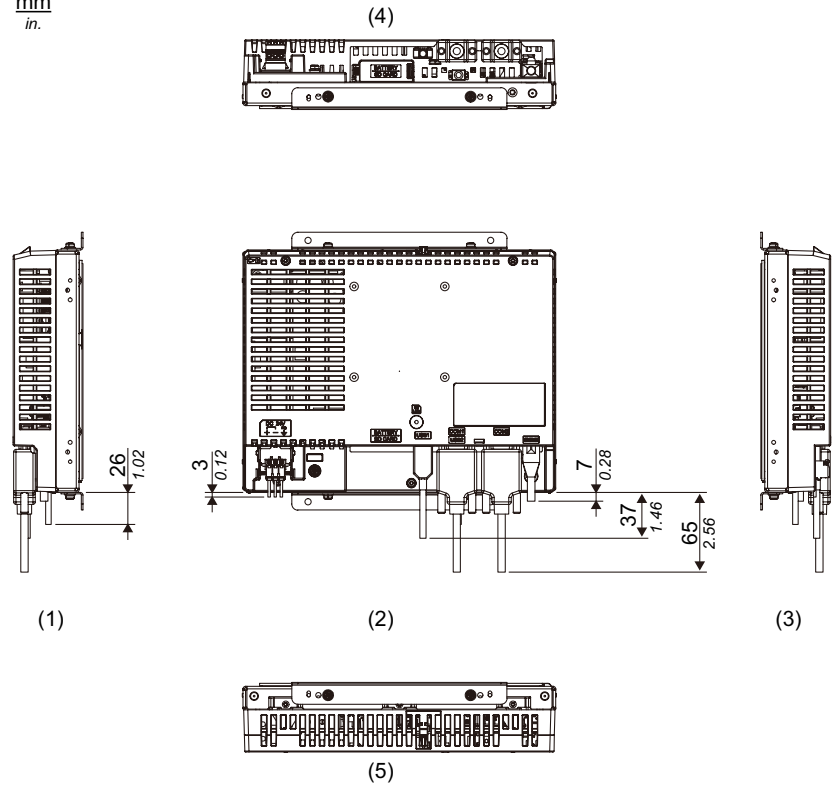
**See Also:**

<http://www.axcontrol.com/automation/pro-face/gp-4000>

<Panel Type/ Standard Mount : PFXGP4501TADR>

Dimensions with Cables

mm  
in.



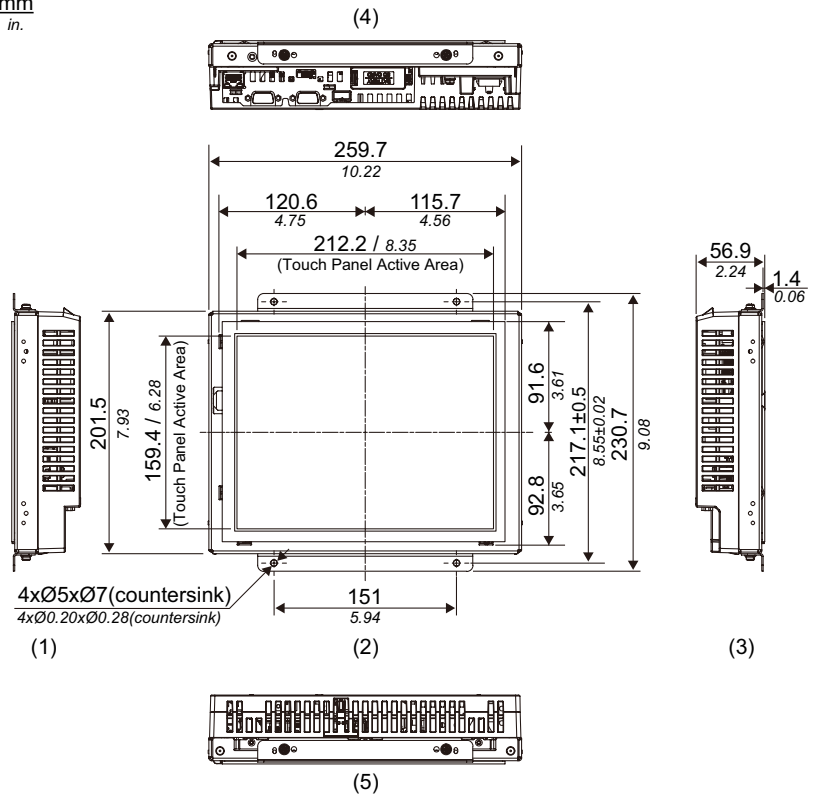
- 1 Right Side
- 2 Rear
- 3 Left Side
- 4 Bottom
- 5 Top

**NOTE:** All the above values are designed with cable bending in mind. The dimensions given here are representative values depending on the type of connection cable in use. Therefore, these values are intended for reference only.

<Panel Type/ Flat Mount : PFXGP4501TADR>

Installation with Installation Fasteners attached to the top and bottom surfaces of the GP unit

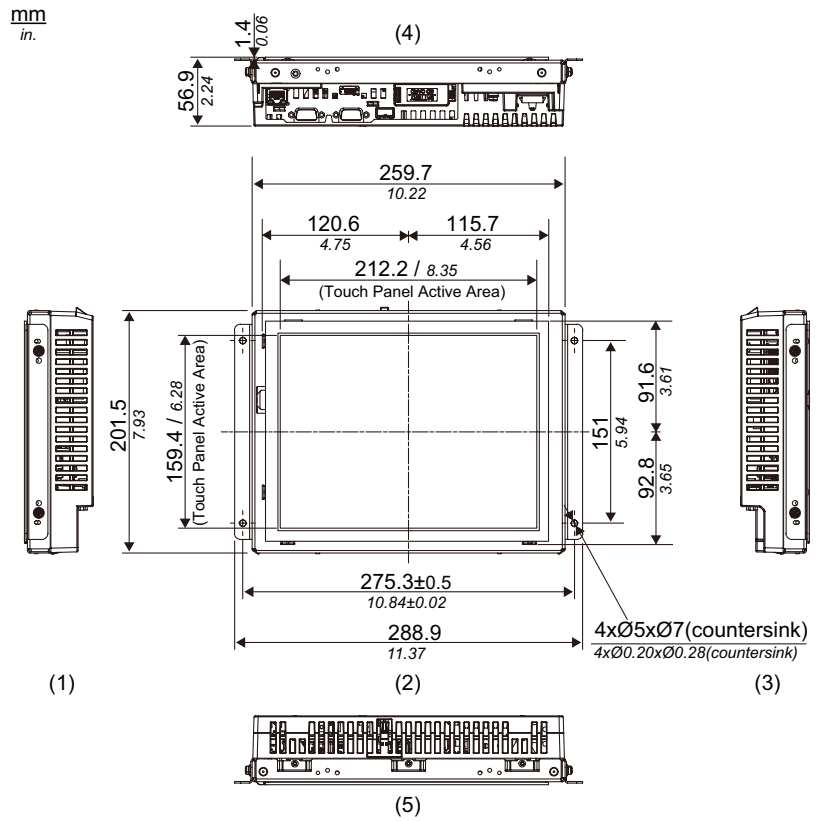
mm  
in.



- 1 Right Side
- 2 Front
- 3 Left Side
- 4 Bottom
- 5 Top

<Panel Type/ Flat Mount : PFXGP4501TADR>

Installation with Installation Fasteners attached to the sides of the GP unit

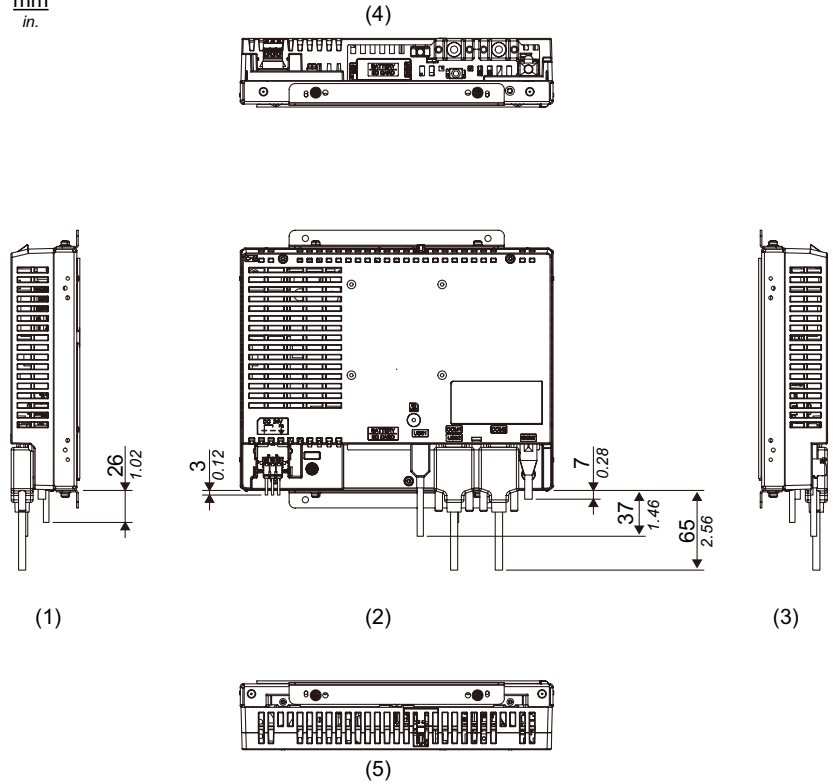


- 1 Right Side
- 2 Front
- 3 Left Side
- 4 Bottom
- 5 Top

<Panel Type/ Flat Mount : PFXGP4501TADR>

Dimensions with Cables

mm  
in.



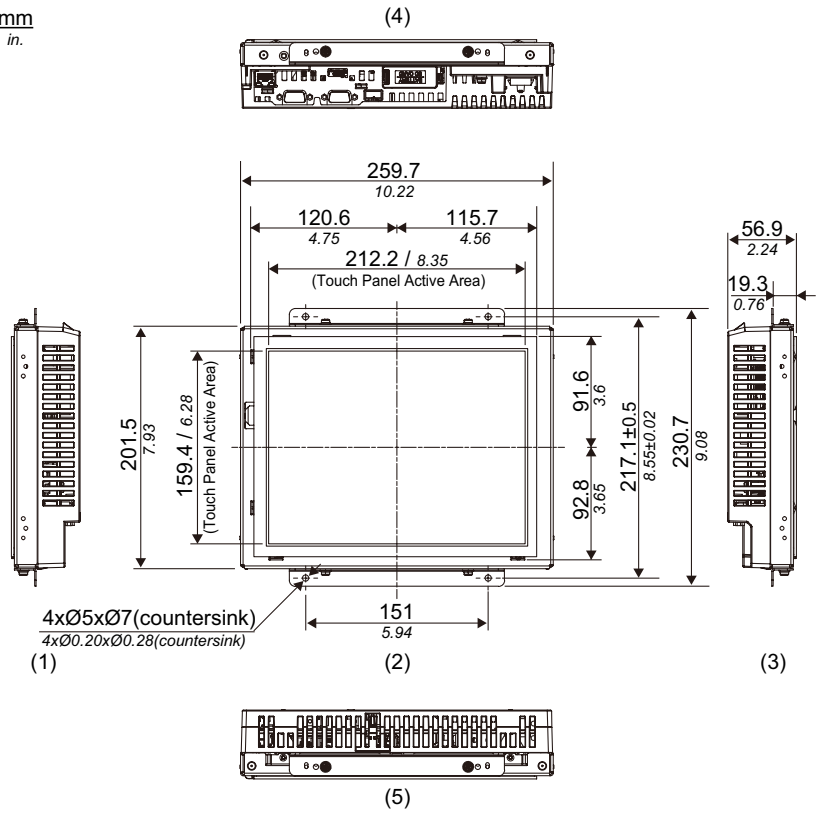
- 1 Right Side
- 2 Rear
- 3 Left Side
- 4 Bottom
- 5 Top

**NOTE:** All the above values are designed with cable bending in mind. The dimensions given here are representative values depending on the type of connection cable in use. Therefore, these values are intended for reference only.

<Resin BossType/ Standard Mount and Flat Mount : PFXGP4501TADR>

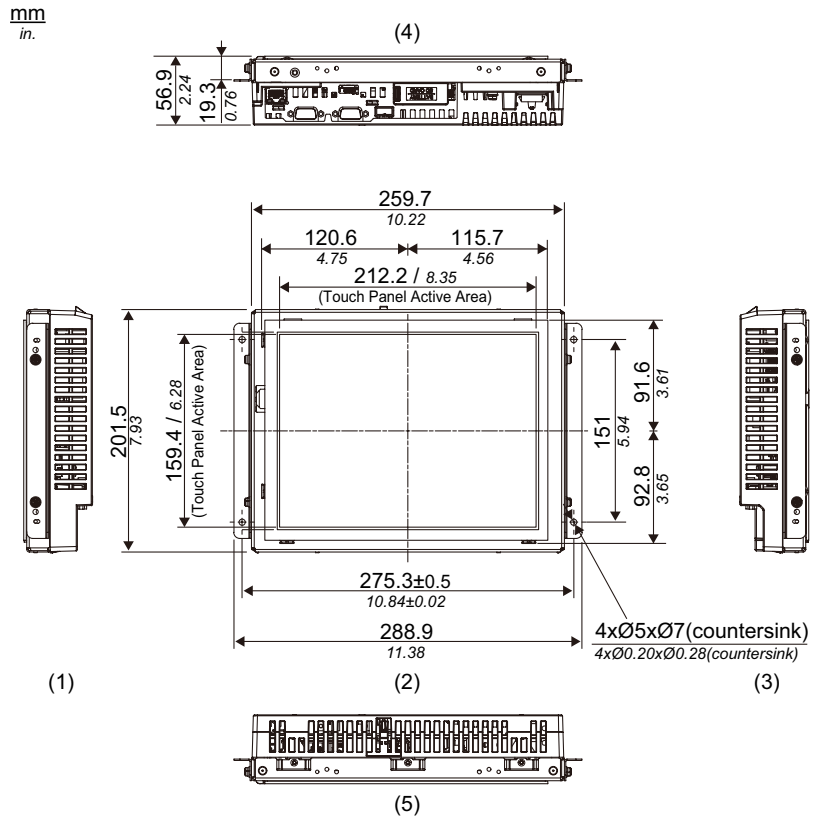
Installation with Installation Fasteners attached to the top and bottom surfaces of the GP unit

mm  
in.



- 1 Right Side
- 2 Front
- 3 Left Side
- 4 Bottom
- 5 Top

<Resin Boss Type/ Standard Mount and Flat Mount : PFXGP4501TADR>  
 Installation with Installation Fasteners attached to the sides of the GP unit

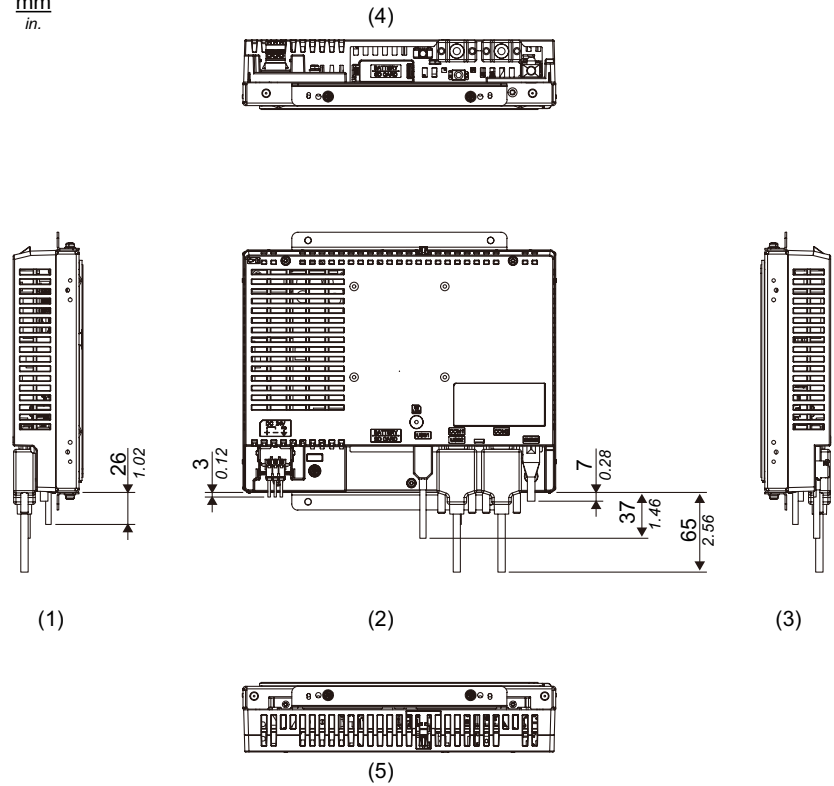


- 1 Right Side
- 2 Front
- 3 Left Side
- 4 Bottom
- 5 Top

<Resin Boss Type/ Standard Mount and Flat Mount : PFXGP4501TADR>

Dimensions with Cables

mm  
in.



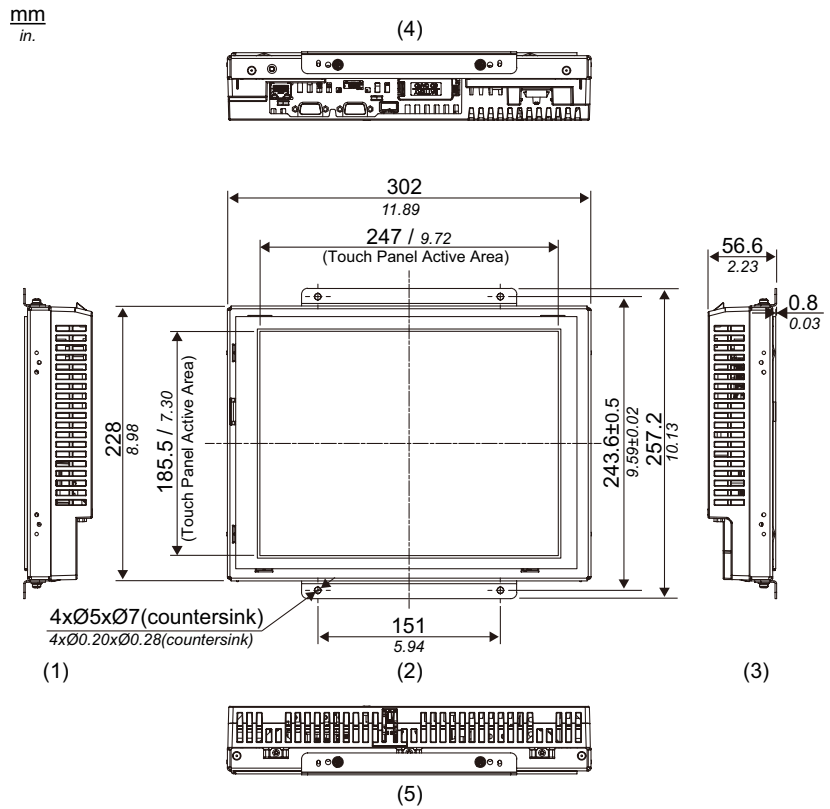
- 1 Right Side
- 2 Rear
- 3 Left Side
- 4 Bottom
- 5 Top

**NOTE:** All the above values are designed with cable bending in mind. The dimensions given here are representative values depending on the type of connection cable in use. Therefore, these values are intended for reference only.



<Panel Type/ Standard Mount : PFXGP4601TADR>

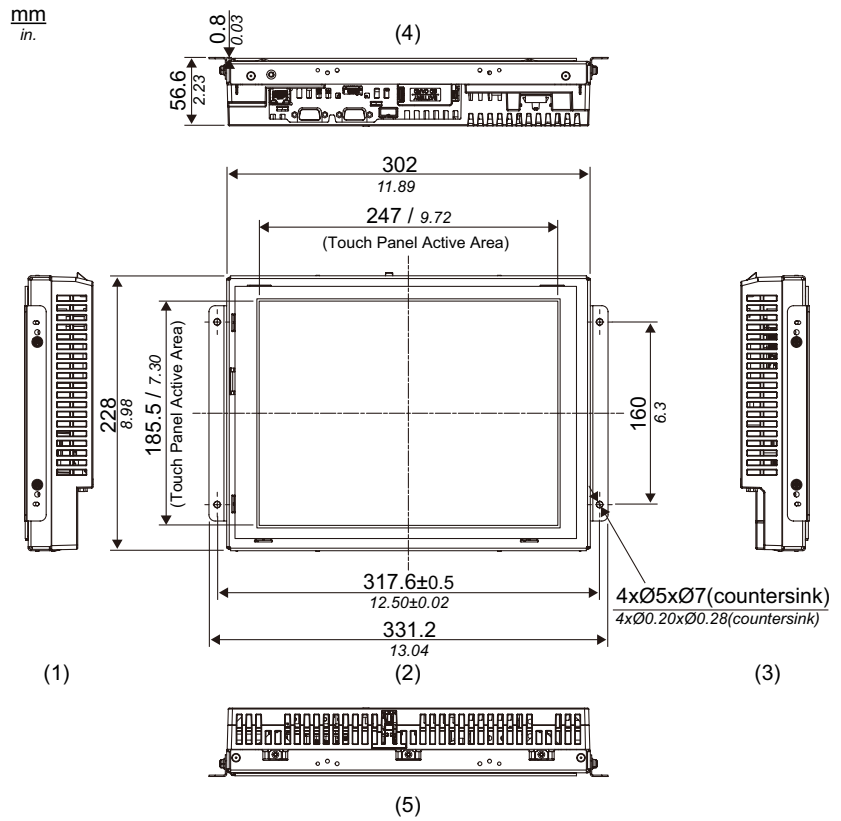
Installation with Installation Fasteners attached to the top and bottom surfaces of the GP unit



- 1 Right Side
- 2 Front
- 3 Left Side
- 4 Bottom
- 5 Top

<Panel Type/ Standard Mount : PFXGP4601TADR>

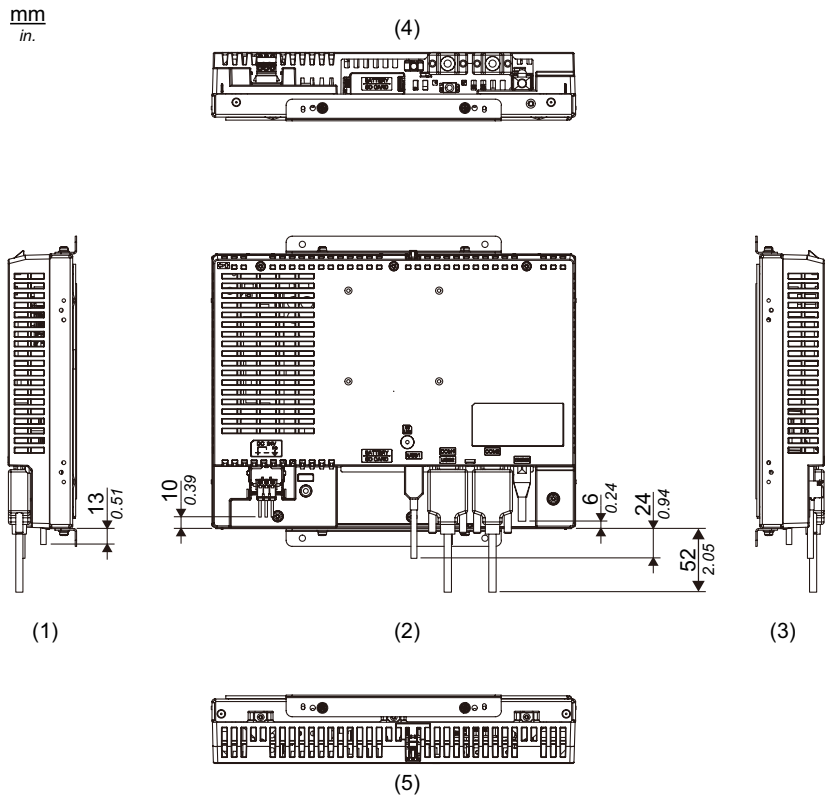
Installation with Installation Fasteners attached to the sides of the GP unit



- 1 Right Side
- 2 Front
- 3 Left Side
- 4 Bottom
- 5 Top

<Panel Type/ Standard Mount : PFXGP4601TADR>

Dimensions with Cables



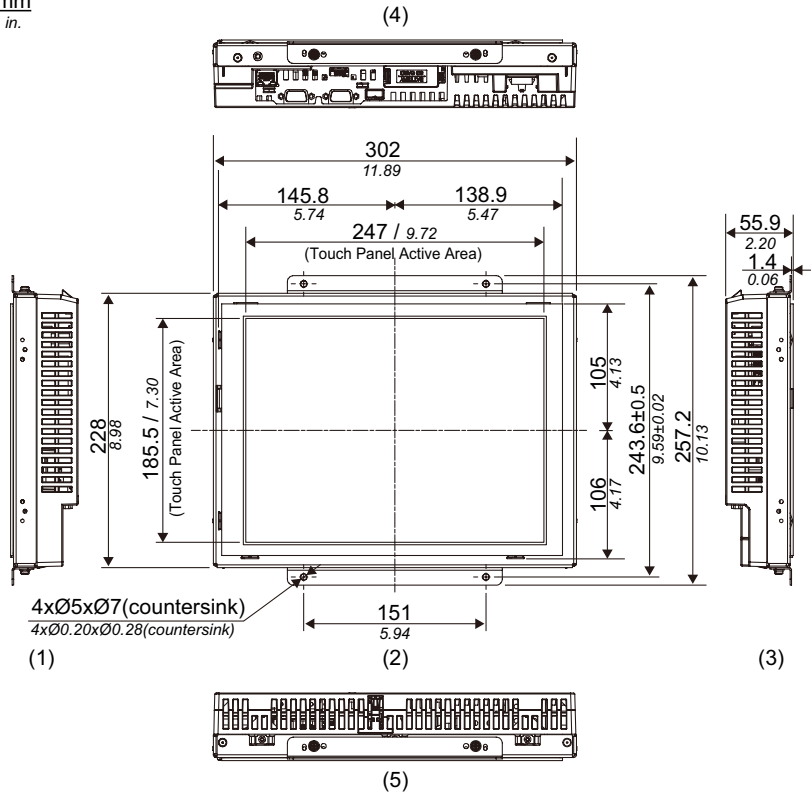
- 1 Right Side
- 2 Rear
- 3 Left Side
- 4 Bottom
- 5 Top

**NOTE:** All the above values are designed with cable bending in mind. The dimensions given here are representative values depending on the type of connection cable in use. Therefore, these values are intended for reference only.

<Panel Type/ Flat Mount : PFXGP4601TADR>

Installation with Installation Fasteners attached to the top and bottom surfaces of the GP unit

mm  
in.



- 1 Right Side
- 2 Front
- 3 Left Side
- 4 Bottom
- 5 Top