

DUAL AC OUTPUT MODULE
115VAC 2.0 AMP M/N 45C60
230VAC 2.0 AMP M/N 45C62
24VAC 2.0 AMP M/N 45C67

DESCRIPTION

The Dual AC Output Module contains the necessary circuitry to provide two individually isolated outputs to motor starters, solenoids or other control devices. Each output is rated at two amps continuous. The module converts the low level logic signal into power outputs, by driving a triac device to switch a load.

The two outputs can be from separate power sources. A fuse is provided in each output, for overload protection. Electrical isolation between the switched output and the logic signal is accomplished by use of a photo coupler. Filtering is provided at the output switch and the logic circuitry to prevent noise from affecting the module operation. The output filter is made up of an RC network and MOV.

Two LED indicators are provided for each output channel. The yellow LOGIC indicator will be illuminated when a command has been issued to turn the output on. The red FUSE Indicator will be illuminated when the fuse is blown and the output is commanded to be on. Simply by observing the LED's it can be determined that the output is being commanded to energize and that the output fuse is not blown.

Users field wiring connects to the terminal strip on the I/O Rail (Refer to Figure 2 for example of Field Wiring).

A stick on label is provided with each module to identify the type of module. This label is affixed to the right hand side of the terminal strip by the User. When the label is installed and the module is removed, the label will be visible and will identify the type module that needs to be replaced.

SPECIFICATIONS

Outputs per module	:	2 Channels
Output Module Location	:	Mounted in I/O Rail
Ambient Temperature Range	:	0 to 60°C (Operational) -20 to 85°C (Storage)
Humidity Rating	:	0-95% Non-Condensing
Output Current Rating	:	2 amps (max) per Output Continuous
Dissipation per Channel	:	2.5 Watts max. per Output Channel
Fuse Rating	:	5 amps 3AG

On State Voltage Drop : 1.0V at max. Load Current

Response Time Off to On : 10 milliseconds max.

On to Off : 9 milliseconds max.

Isolation

Electrical : Each Output is Isolated from one another

Optical : 2500V Power to Logic

1600V Power to Chassis

	M/N 45C60	M/N 45C62	M/N 45C67
Nominal AC Volt	115V	230V	24V
Working Voltage (RMS)	80 to 132	200 to 270	10 to 35
Current Surge (AMPS) Non-Repetitive			
1 Cycle Surge	50	50	50
.1 Sec Surge	20	20	29
.2 Sec Surge	18	18	18
.5 Sec Surge	10	10	10
1.0 Sec Surge	7	7	7
Off State Leakage Current (Worstcase RMS 60 HZ)	5.2 ma @ 120 VAC	7.1 ma @ 230 VAC	1.2 ma @ 24 VAC
Minimum Holding Current +60°C	30MA	30MA	30MA
30°C	45MA	45MA	45MA
25°C	50MA	50MA	50MA
0°C	70MA	70MA	70MA

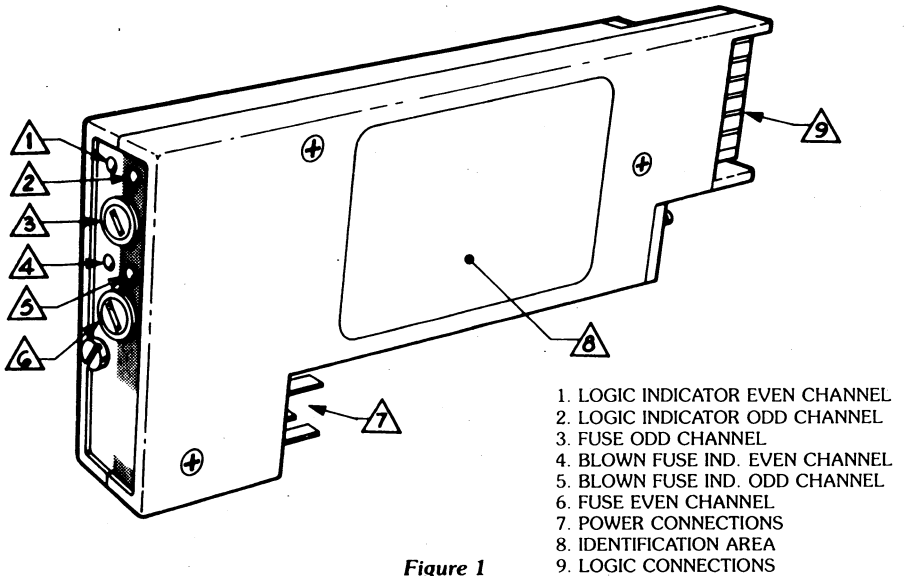
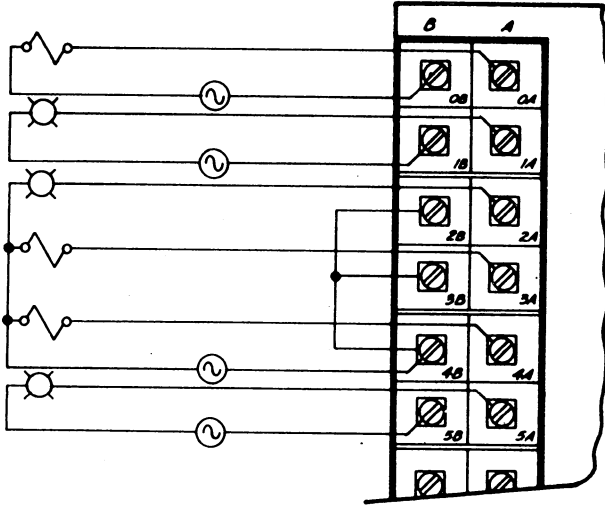


Figure 1



Examples of Field Wiring
Figure 2

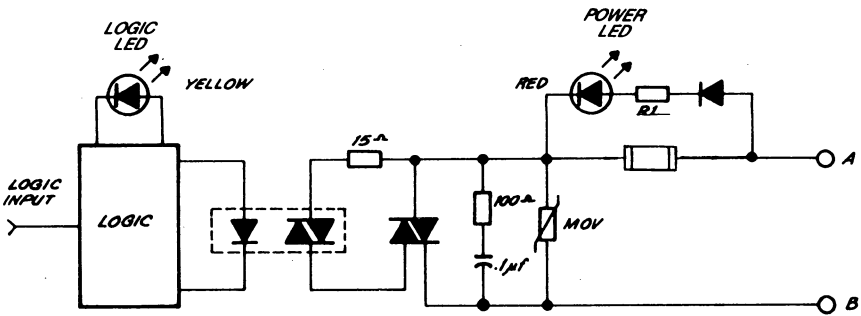


Figure 3

For additional information

1 Allen-Bradley Drive

Mayfield Heights, Ohio 44124 USA

Tel: (800) 241-2886 or (440) 646-3599

<http://www.reliance.com/automax>

www.rockwellautomation.com

Corporate Headquarters

Rockwell Automation, 777 East Wisconsin Avenue, Suite 1400, Milwaukee, WI, 53202-5302 USA, Tel: (1) 414.212.5200, Fax: (1) 414.212.5201

Headquarters for Allen-Bradley Products, Rockwell Software Products and Global Manufacturing Solutions

Americas: Rockwell Automation, 1201 South Second Street, Milwaukee, WI 53204-2496 USA, Tel: (1) 414.382.2000, Fax: (1) 414.382.4444

Europe/Middle East/Africa: Rockwell Automation SA/NV, Vorstlaan/Boulevard du Souverain 36, 1170 Brussels, Belgium, Tel: (32) 2 663 0600, Fax: (32) 2 663 0640

Asia Pacific: Rockwell Automation, 27/F Citicorp Centre, 18 Whitfield Road, Causeway Bay, Hong Kong, Tel: (852) 2887 4788, Fax: (852) 2508 1846

Headquarters for Dodge and Reliance Electric Products

Americas: Rockwell Automation, 6040 Ponders Court, Greenville, SC 29615-4617 USA, Tel: (1) 864.297.4800, Fax: (1) 864.281.2433

Europe/Middle East/Africa: Rockwell Automation, Brihlstraße 22, D-74834 Elztal-Dallau, Germany, Tel: (49) 6261 9410, Fax: (49) 6261 17741

Asia Pacific: Rockwell Automation, 55 Newton Road, #11-01/02 Revenue House, Singapore 307987, Tel: (65) 6356-9077, Fax: (65) 6356-9011